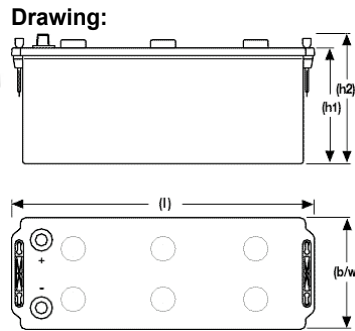
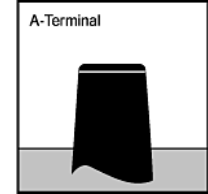


Sonnenschein A412/100 A data sheet



Terminal:



Specifications:

Exide type designation	Part number	Nom. Voltage V	Nominal capacity C ₁₀ 1.80 VpC 20°C Ah	Length l max. mm	Width b/w max. mm	Height h1 max. mm	Height top cover h1 max. mm	Height over terminals h2 max. mm	Weight approx. kg	Internal resistance acc. IEC896-2 mOhm	Short circuit current acc. IEC896-2 A	Max. Load approx. A	Max. perm current 5 secs. A	Terminal
A412/100 A	NGA4120100HS0CA	12	100	513	189	195	195	223	36.5	6.9	1777	770	2600	A-Terminal

Part numbers not valid for North America, use type for ordering!

Constant-current discharge in A (at 20 °C):

Part number	Exide type designation	VpC	5min	10min	15min	20min	30min	45min	1h	2h	3h	4h	5h	8h	10h
NGA4120100HS0CA	A412/100A	1.85	144.0	124.0	105.0	93.0	72.0	56.0	46.0	31.0	23.5	17.9	15.2	10.8	9.6
NGA4120100HS0CA	A412/100A	1.80	176.0	150.0	125.0	104.0	81.0	62.0	50.0	32.0	24.1	18.7	15.9	11.3	10.0
NGA4120100HS0CA	A412/100A	1.75	194.0	160.0	134.0	112.0	86.0	65.0	52.0	33.0	24.8	19.2	16.3	11.4	10.0
NGA4120100HS0CA	A412/100A	1.70	213.0	171.0	141.0	117.0	89.0	67.0	53.0	34.0	25.1	19.4	17.0	11.4	10.0
NGA4120100HS0CA	A412/100A	1.65	232.0	178.0	146.0	120.0	90.0	68.0	54.0	34.0	25.3	19.5	17.0	11.4	10.0
NGA4120100HS0CA	A412/100A	1.60	253.0	183.0	149.0	121.0	91.0	69.0	54.0	34.0	25.4	19.6	17.0	11.4	10.0

Constant-power discharge in W/block (at 20 °C):

Part number	Exide type designation	VpC	2min	3min	5min	7min	10min	15min	20min	30min	45min	1h	2h	3h
NGA4120100HS0CA	A412/100A	1.85	1872	1792	1624	1482	1328	1144	1048	861.0	674.0	567.0	335.0	252.0
NGA4120100HS0CA	A412/100A	1.80	2076	1986	1828	1644	1454	1236	1112	935.0	719.0	597.0	364.0	274.0
NGA4120100HS0CA	A412/100A	1.75	2498	2364	2138	1928	1636	1348	1176	972.0	742.0	613.0	383.0	280.0
NGA4120100HS0CA	A412/100A	1.70	2792	2604	2346	2090	1748	1414	1216	987.0	752.0	620.0	385.0	282.0
NGA4120100HS0CA	A412/100A	1.65	3108	2826	2474	2216	1830	1458	1242	993.0	756.0	623.0	387.0	283.0
NGA4120100HS0CA	A412/100A	1.60	3354	2992	2566	2300	1884	1488	1258	999.0	759.0	625.0	388.0	284.0